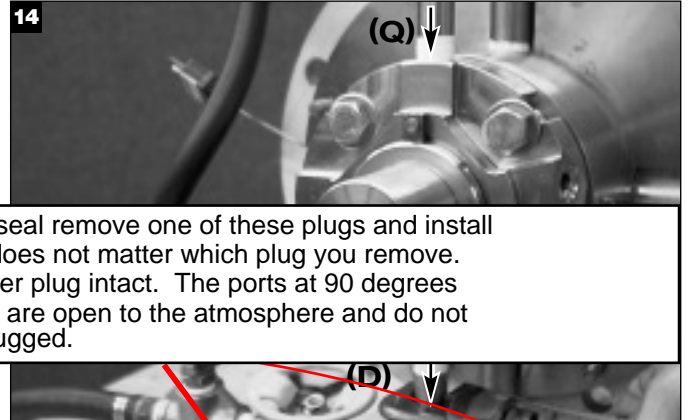
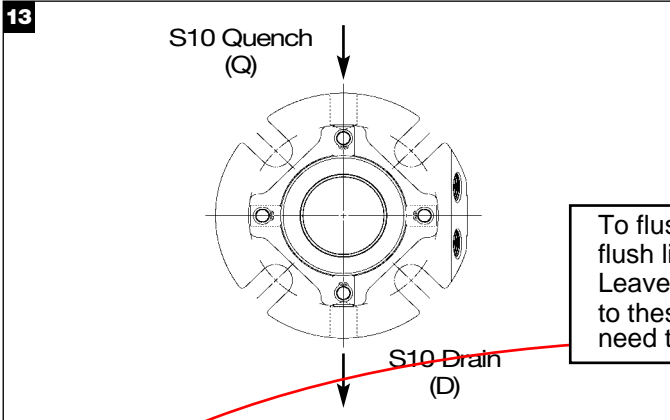


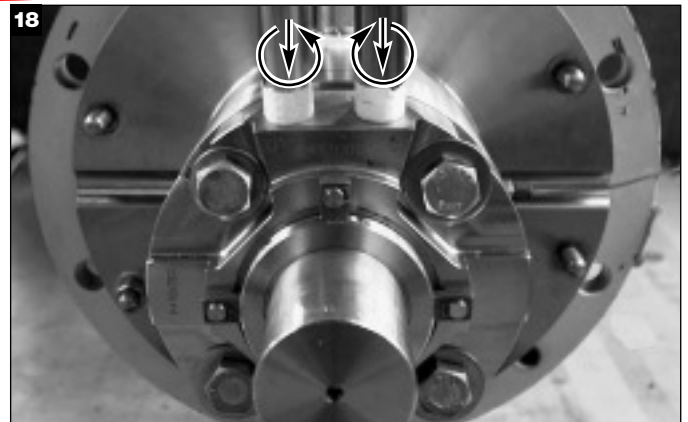
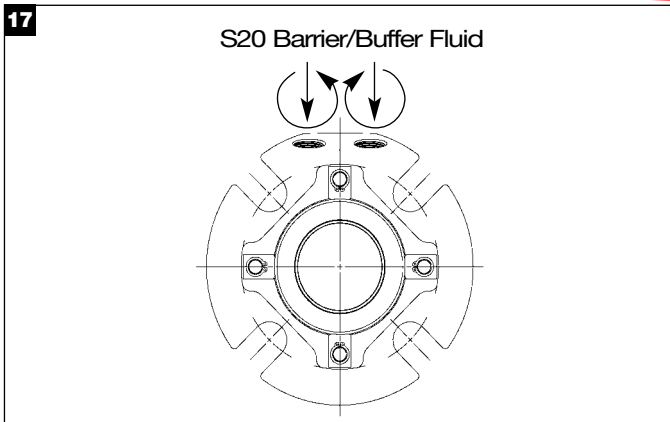
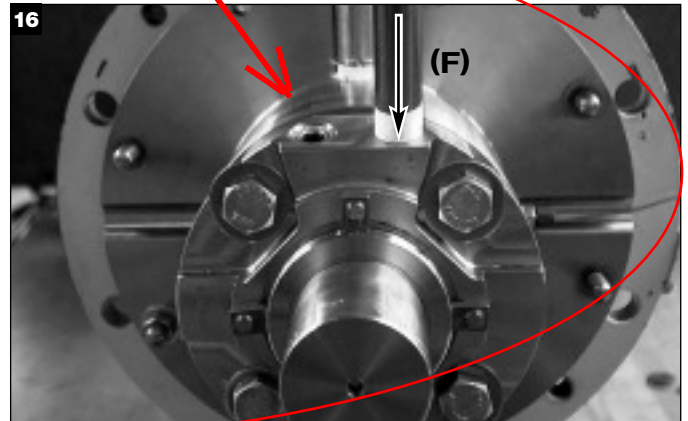
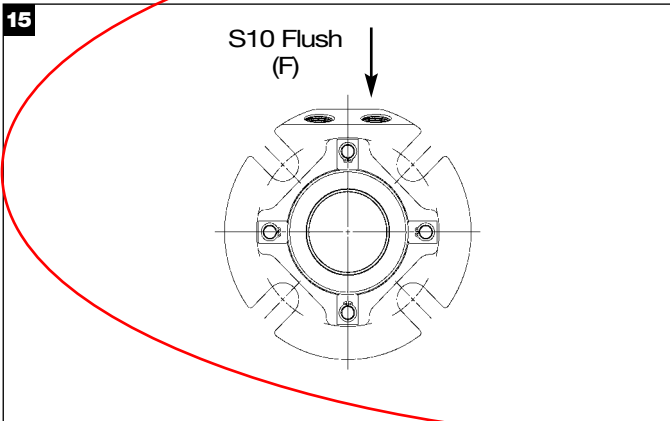
# S10 SEAL FLUSH

ENVIRONMENTAL CONTROLS

Brimhall Industrial - 719-852-5070



To flush S10 seal remove one of these plugs and install flush line. It does not matter which plug you remove. Leave the other plug intact. The ports at 90 degrees to these ports are open to the atmosphere and do not need to be plugged.



## START-UP

