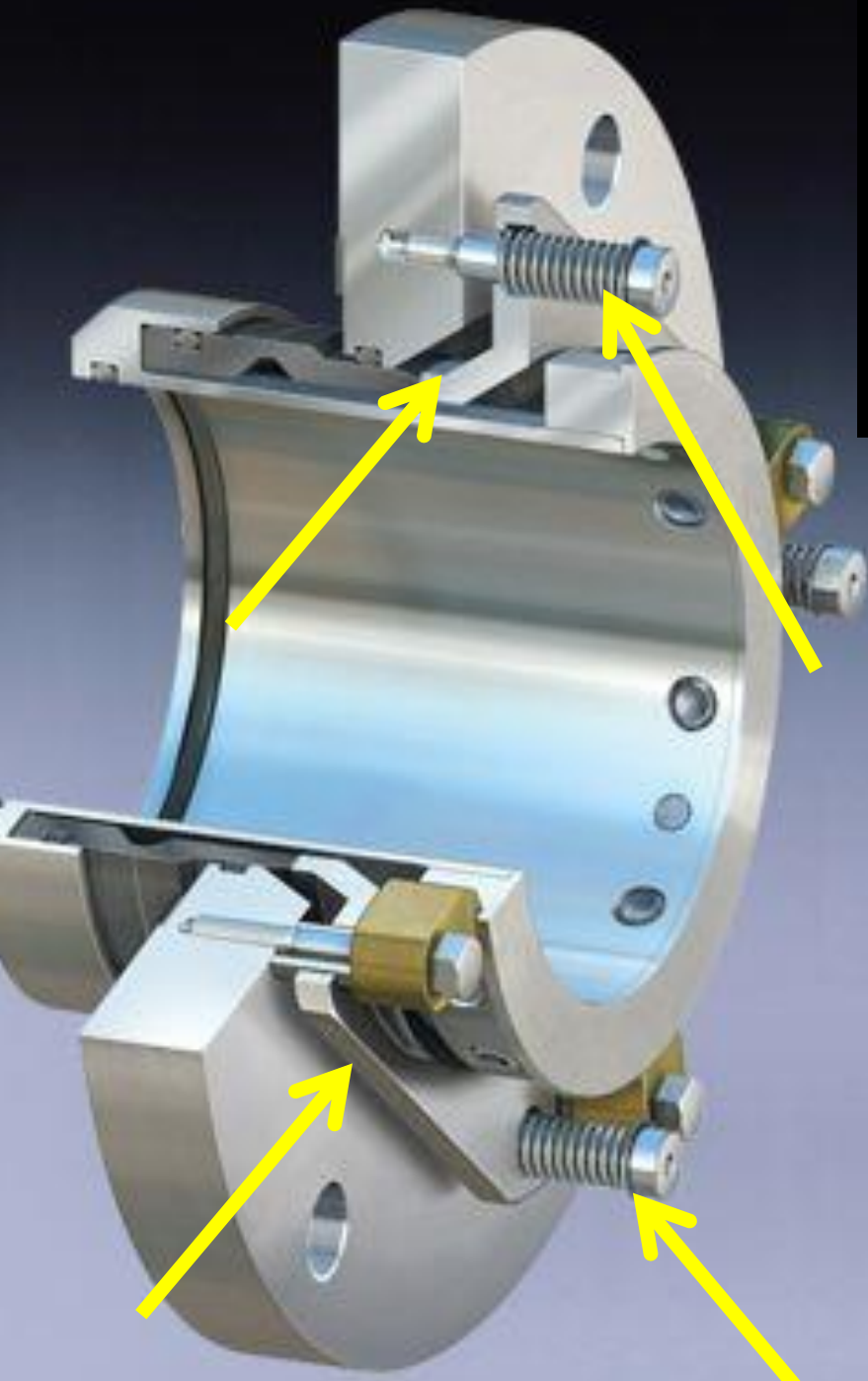




Simplified Robust Design

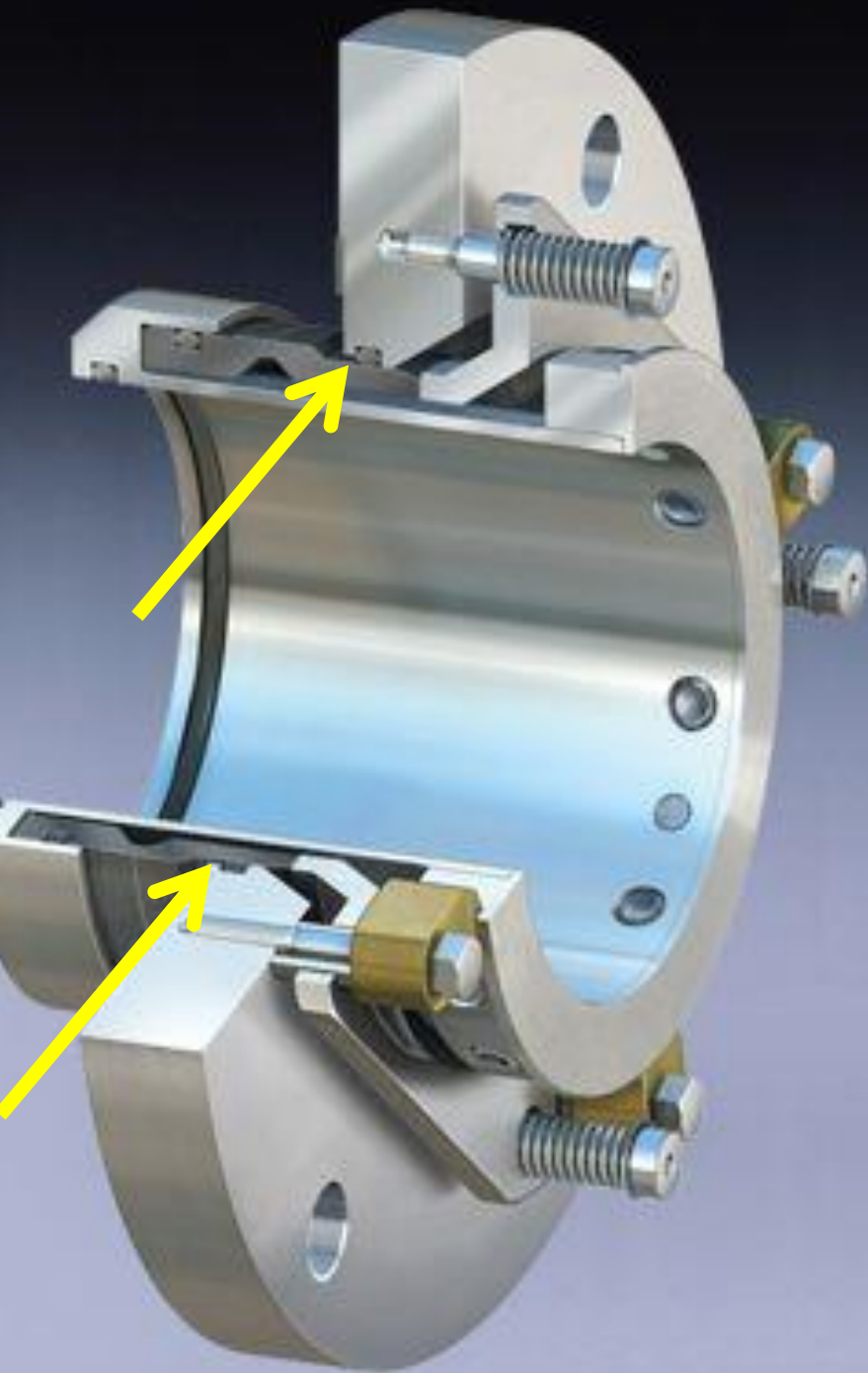
Elimination of small parts and close clearances prone to clogging and wear



External Pressure Plate Design

Handles Shock &
Maintains Face
Alignment

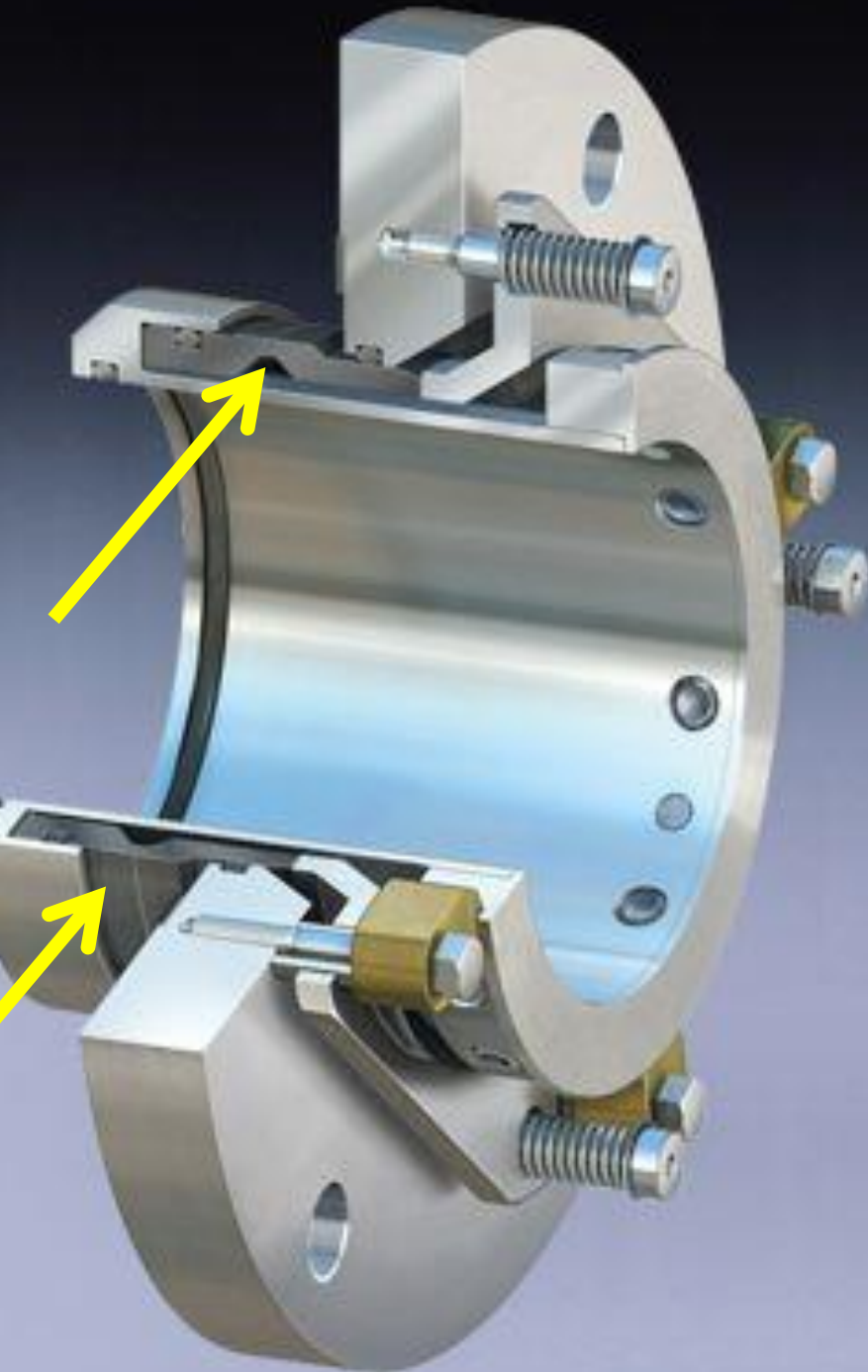
Large External
Multi-Coil Springs
Non-Clogging and
Easily Cleanable



Micro-Polished Surfaces

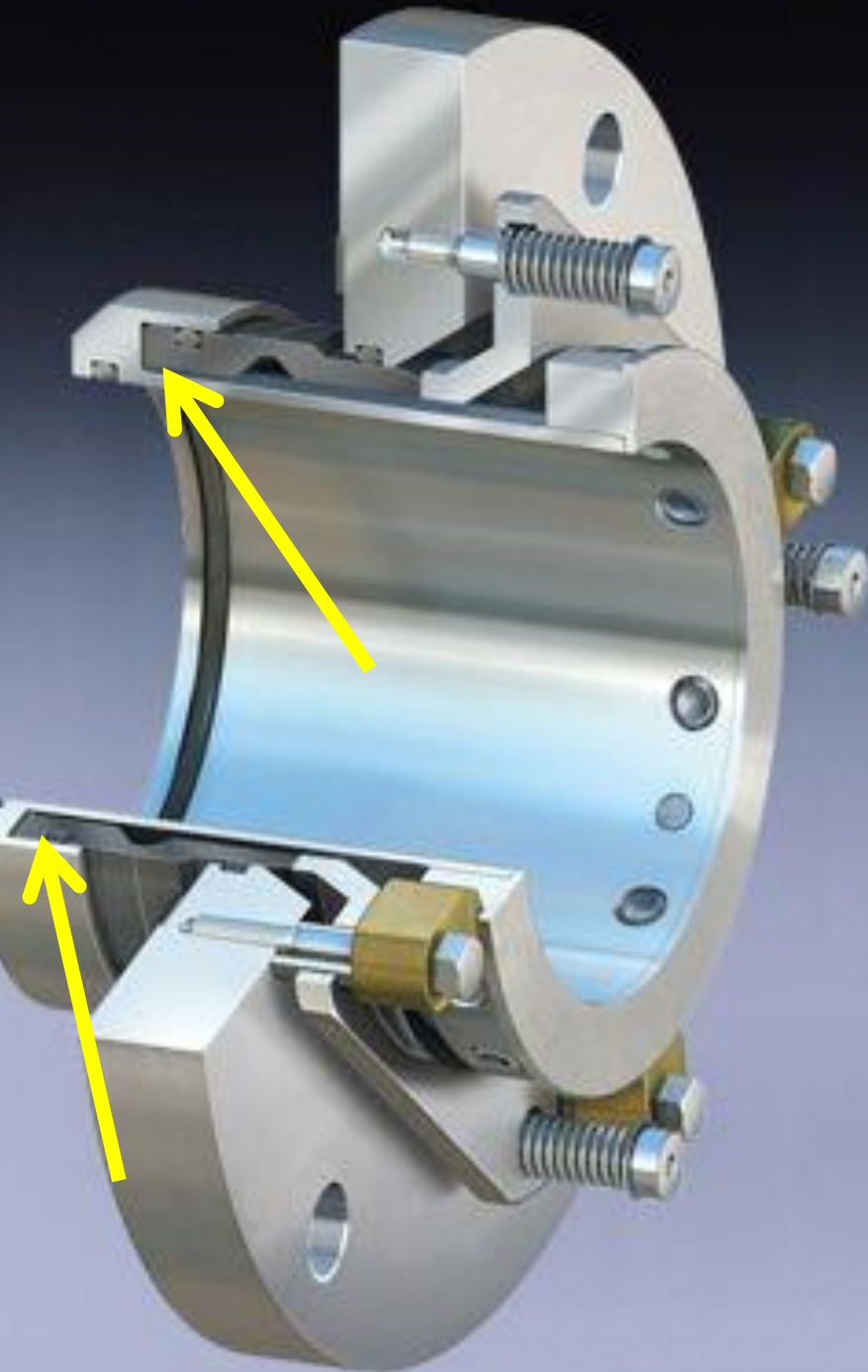
Eliminates O-Ring Hang-Up

Slurry Handling Seal Faces



Hydraulically Balanced
Line-to-Line Faces
Designed to Eliminate
Wiping

Enhanced Drive Mechanisms



Drive Lugs Designed to Eliminate Damage Associated With Drive Pins

.